

	20-03-00	F.B.T. Electronica Spa	
	26-09-00		
	07-05-02		
		TITLE: MAX9SA (preamp)	PCB Name: 13286-00
		CODE:	DRAWING NO:297-03

A

6

5

4

3

2

1

D

D

C

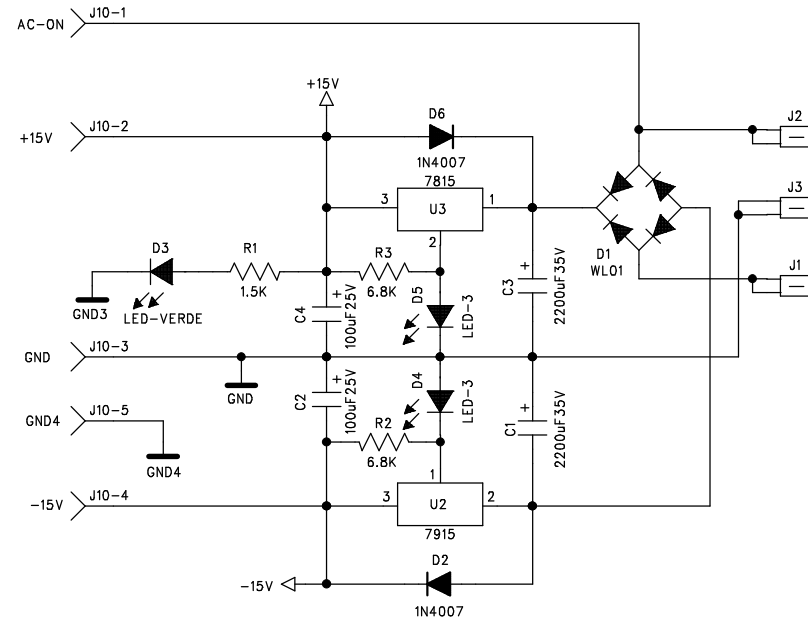
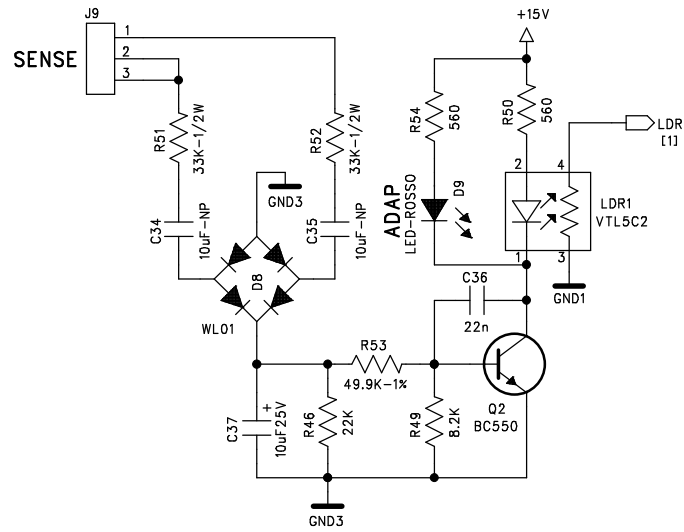
C

B

B

A

A



	20-03-00	COMPANY:	
	26-09-00	F.B.T. Electronica Spa	
	07-05-02	TITLE:	PCB Name:
		MAXX9SA (preamp)	13286-00
		SENSE POWER	SHEET 2 of 2
		CODE:	DRAWING NO:297-03

6

5

4

3

2

1

D

D

C

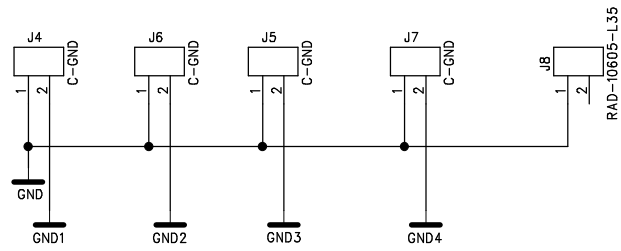
C

B

B

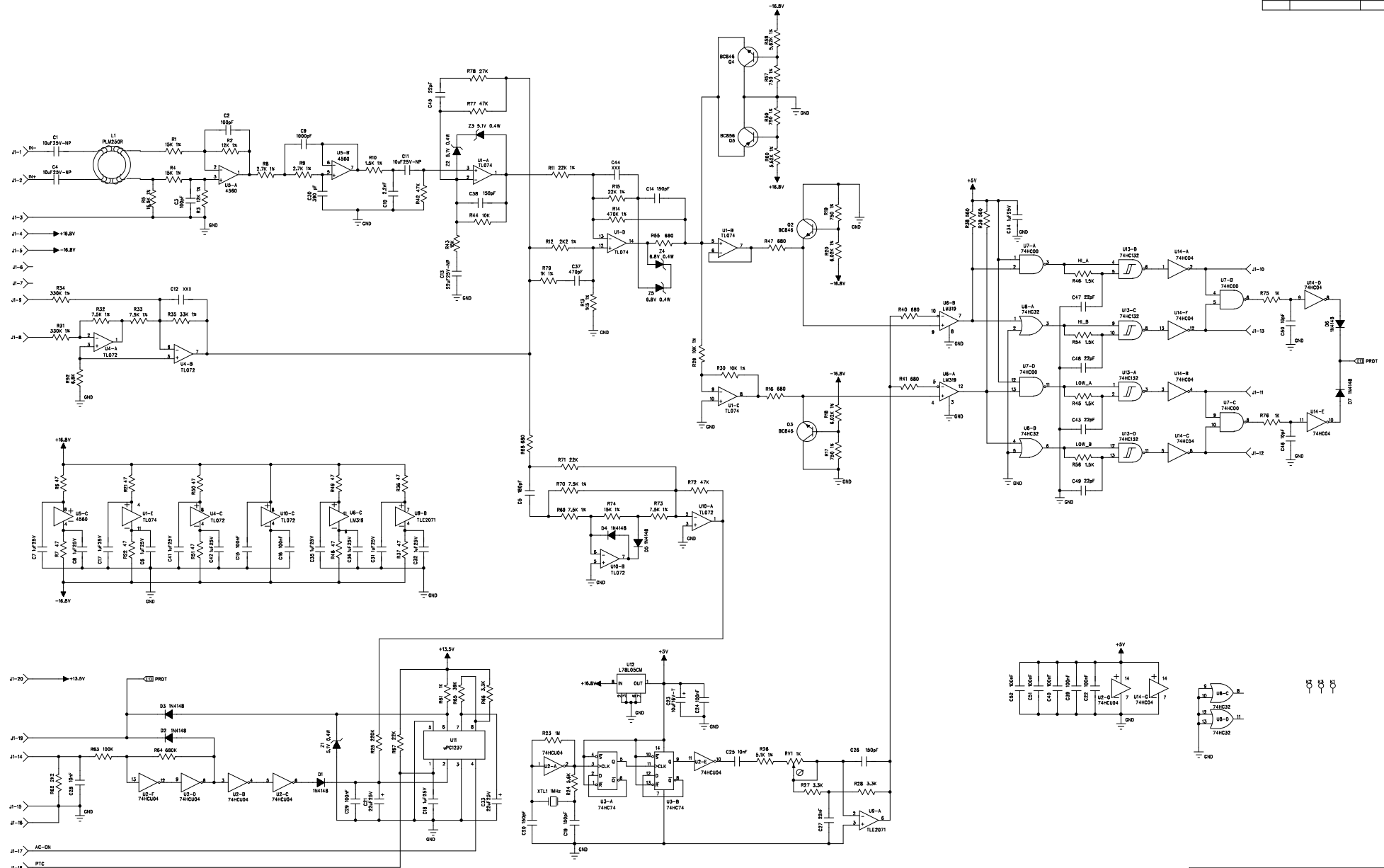
A

A



		COMPANY:	
		F.B.T. Electronica Spa	
		TITLE:	PCB Name:
			SHEET
		CODE:	DRAWING NO:

REVISION RECORD			
LTR	ECD NO:	APPROVED:	DATE:



COMPANY:		FBT Elettronica S.p.a.		
TITLE:		MaxX 9Sa/MaxX10Sa Pre-amplifier-Power Unit		
DRAWING:	DATE:	PCB NAME:	SIZE:	DRAWING:
CHECKED:	DATE:	13141-01	297-03/296-03	REV:
QUALITY CONTROL:	DATE:	SCALE:		SHEET: 1 OF 2
RELEASED:	DATE:			

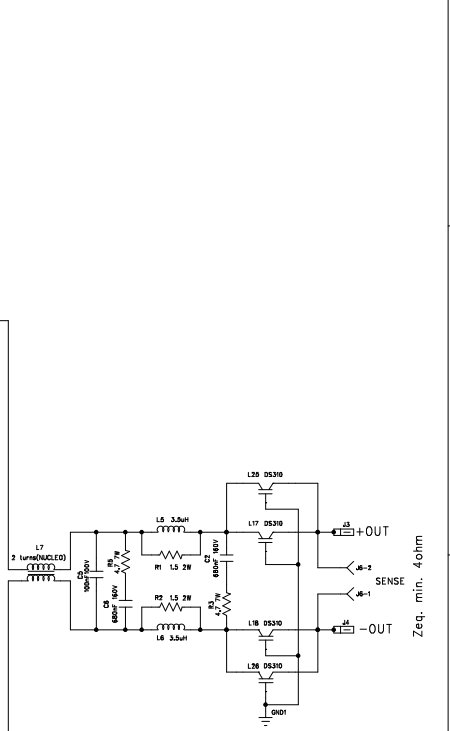
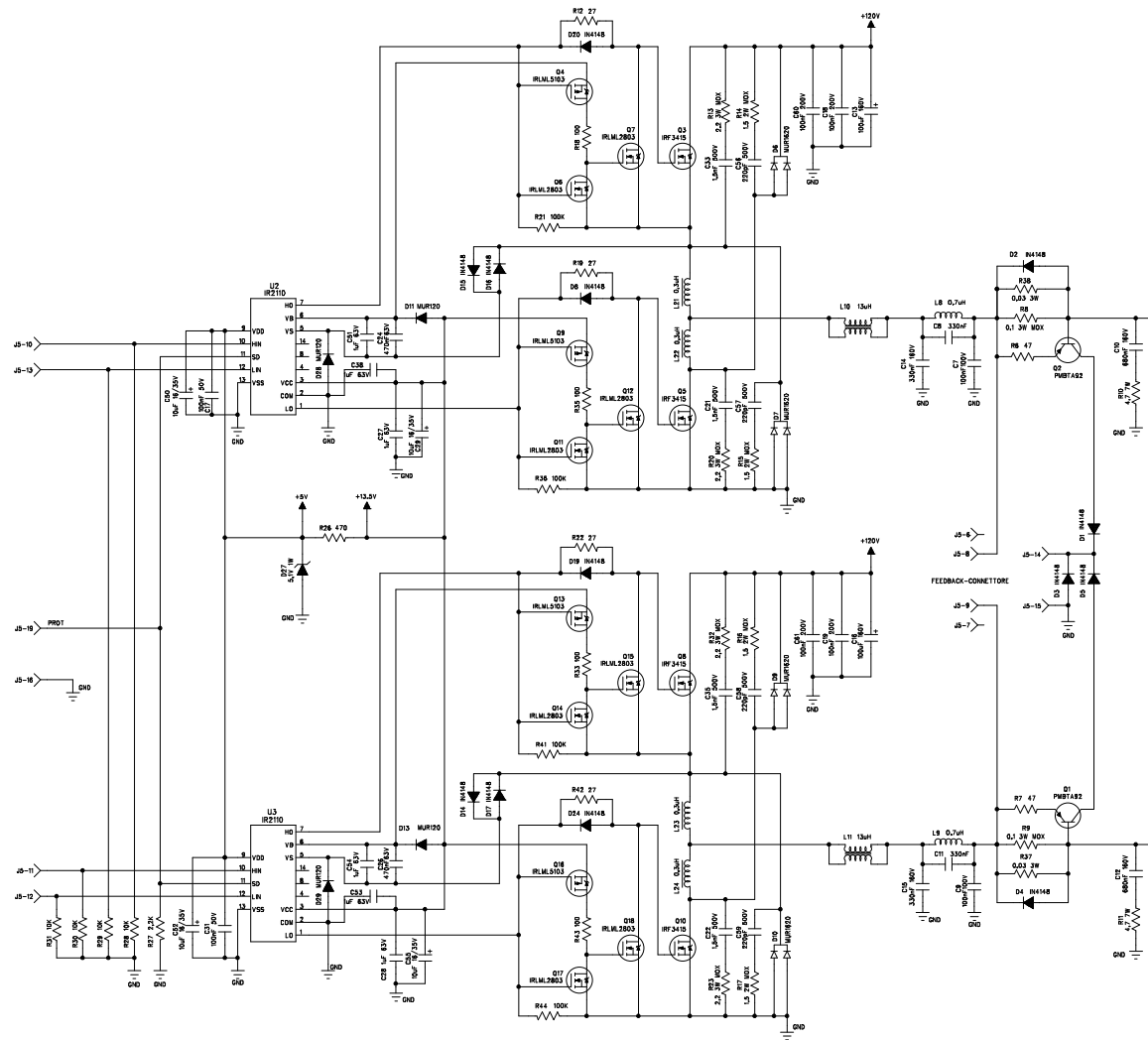
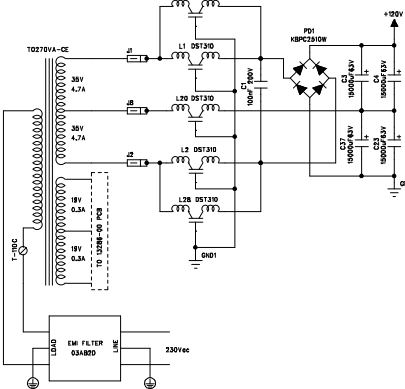
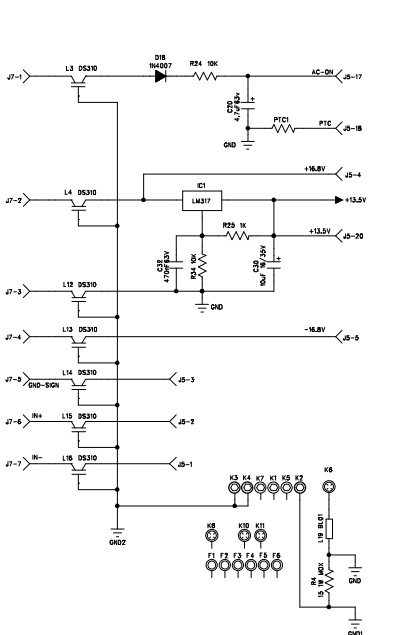
REVISION RECORD			
LTR	ECO NO:	APPROVED:	DATE:

D

C

B

A



COMPANY:		F.B.T. Electronica S.p.a.	
TITLE:		MaxX 9Sa/MaxX10sA Power Amplifier	
DRAWN:	DATE:	PCB NAME:	SIZE:
CHECKED:	DATE:	13142-05	297-03/296-03
QUALITY CONTROL:	DATE:		
RELEASED:	DATE:		
SHEET: 2 OF 2		SHEET: 2 OF 2	