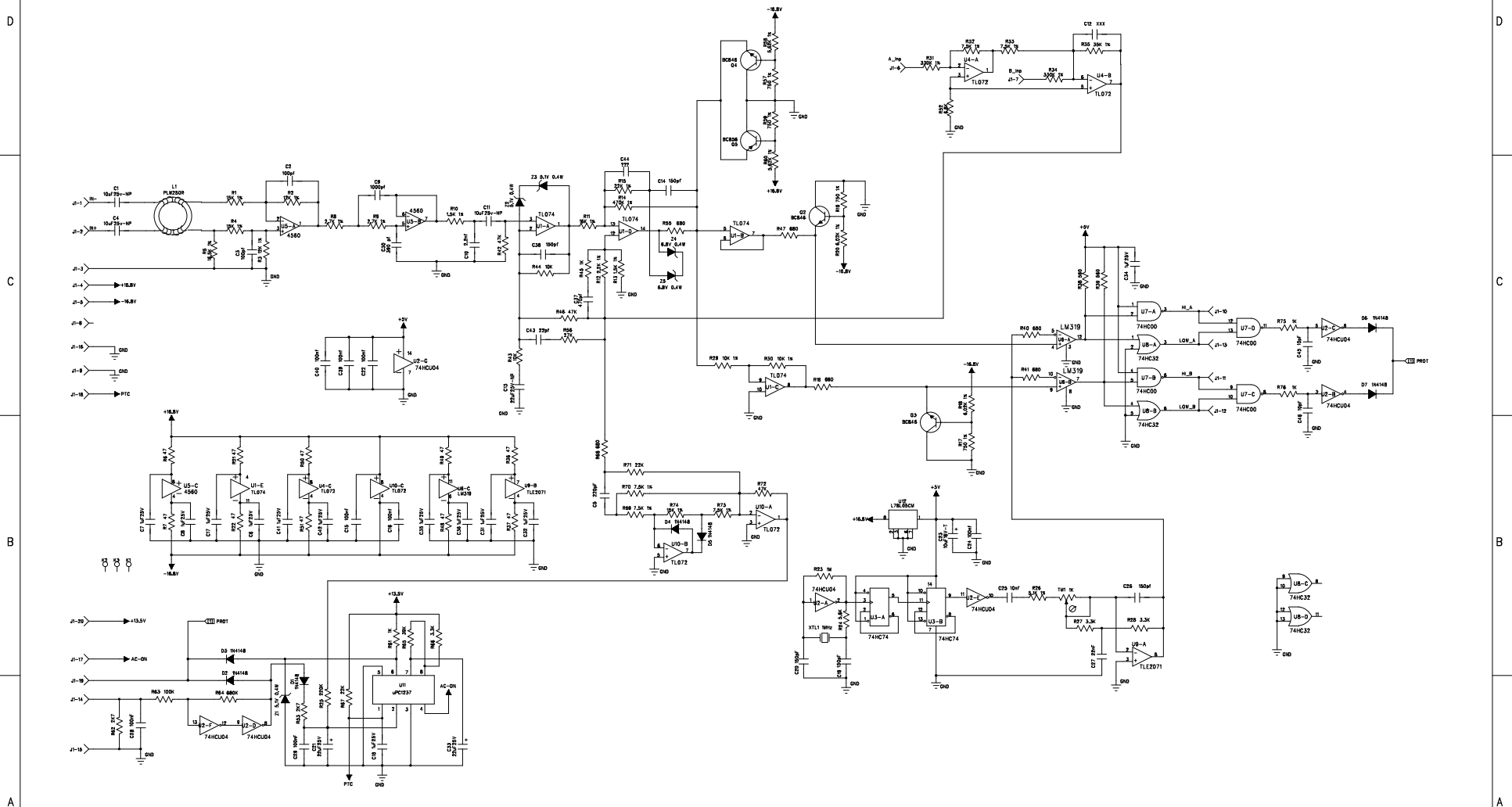
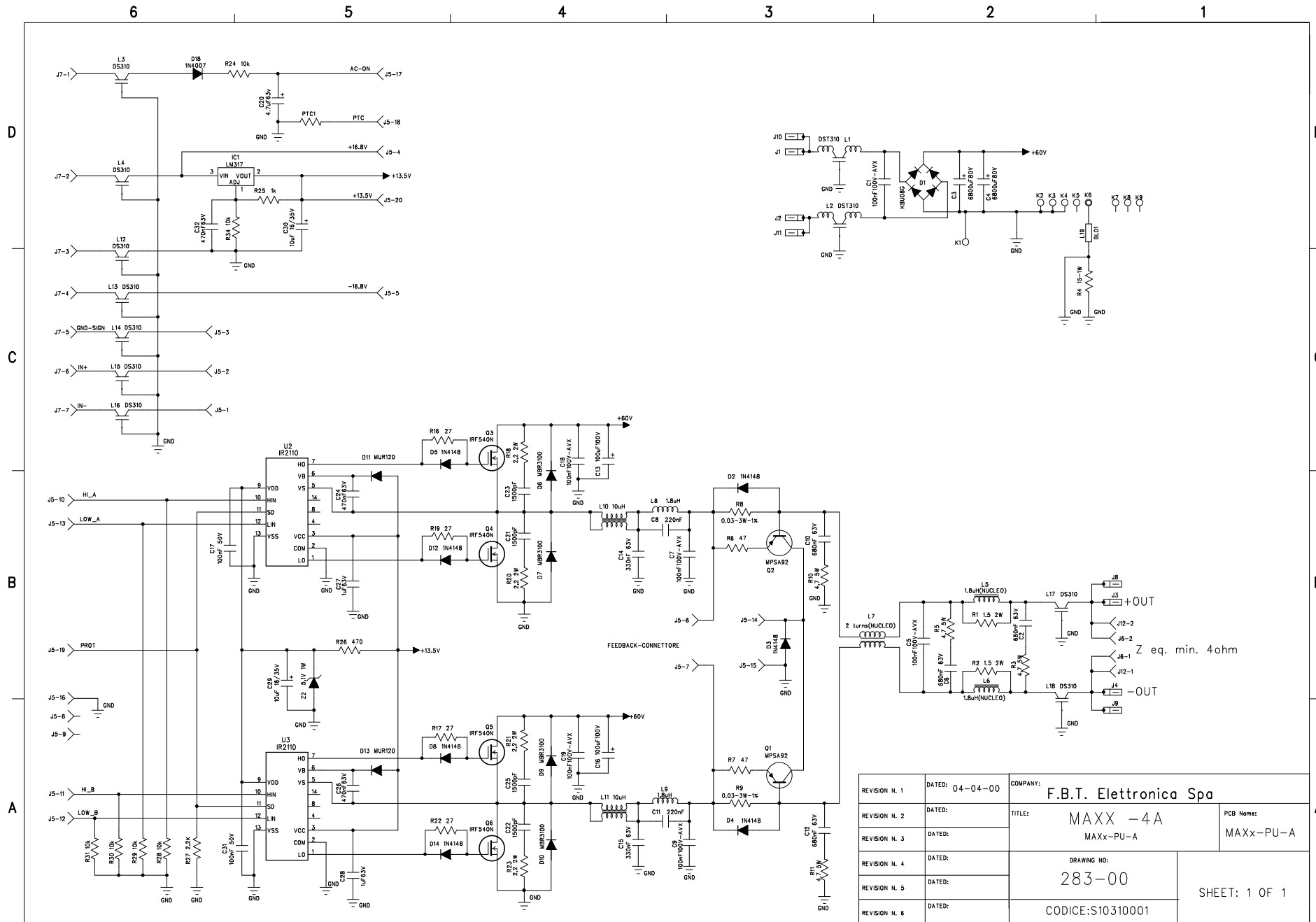


REVISION N.1	DATED: 28-10-99	COMPANY:	F.B.T. Electronica Spa	
REVISION N.2	DATED:	TITLE:	MAXX 4a	
REVISION N.3	DATED:	PCB Name:	MAX-pu-T	
REVISION N.4	DATED:	SHEET 1 of 3		
REVISION N.5	DATED:	CODE:	S10265001-01	
REVISION N.6	DATED:	DRAWING NO:	274-99	

REVISION RECORD			
LTR	ESD MOD.	APPROVED	DATE



COMPANY:		F.B.T. Elettronica S.p.a.	
TITLE:		MAXX-4A MAXX -PRE	
DRAWN:	DATE:	PCB NAME:	DRAWING NO:
CHECKER:	DATE:	MAXX-PRE	283-00
QUALITY CONTROL:	DATE:	CODICE: S10306001-00	
RELEASED:	DATE:	SHEET: 1 OF 1	



REVISION N. 1	DATED: 04-04-00	COMPANY: F.B.T. Elettronica Spa	
REVISION N. 2	DATED:	TITLE: MAXX -4A	PCB Name:
REVISION N. 3	DATED:	MAXx-PU-A	MAXx-PU-A
REVISION N. 4	DATED:	DRAWING NO:	SHEET: 1 OF 1
REVISION N. 5	DATED:	283-00	
REVISION N. 6	DATED:	CODICE:S10310001	