

6

5

4

3

2

1

D

D

C

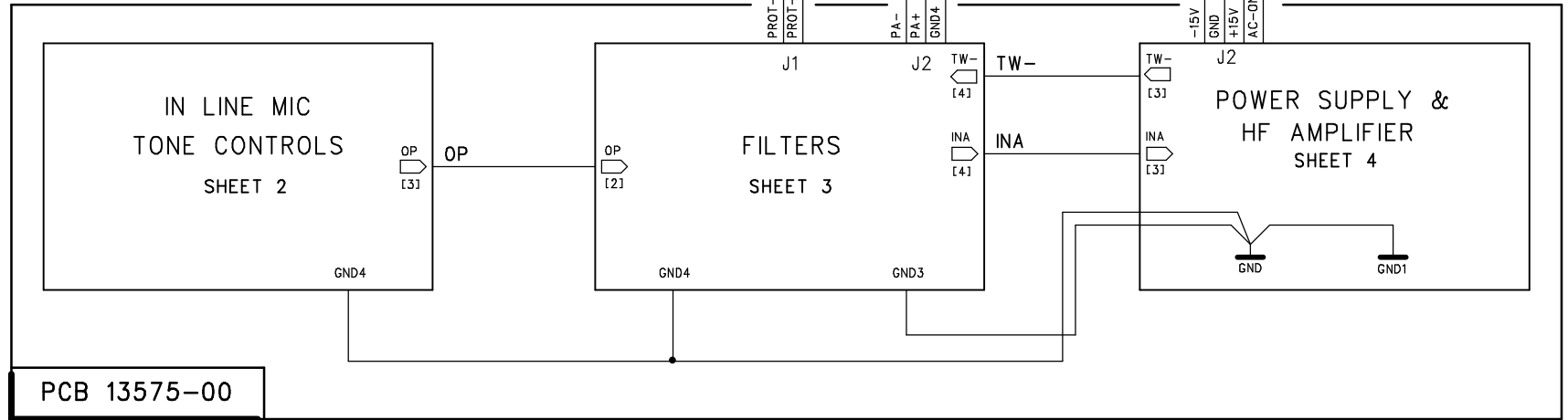
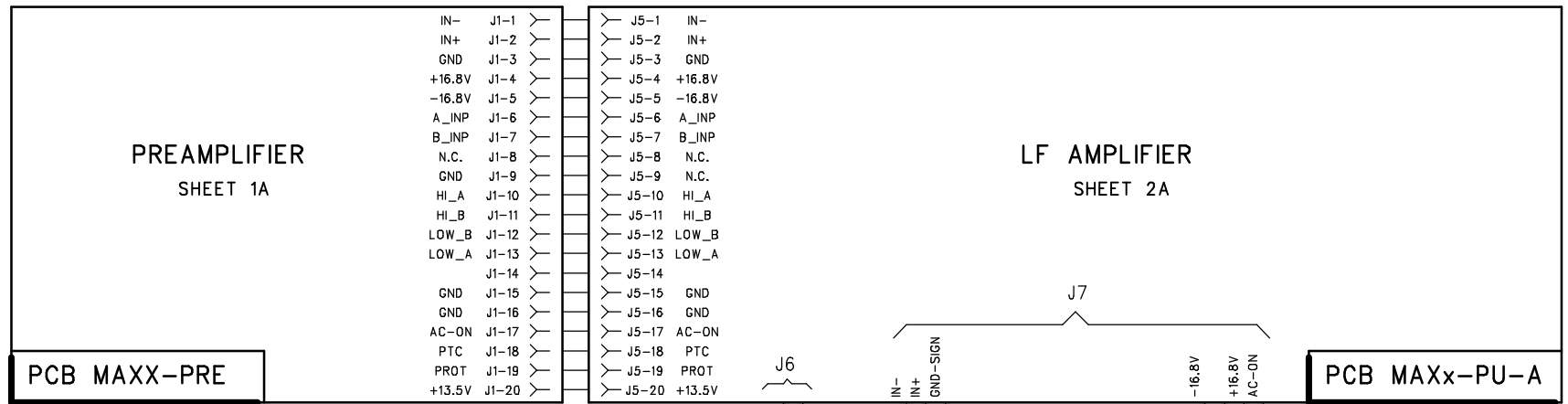
C

B

B

A

A



[-] SHOW OFF-PAGE SHEET NUMBER

UPDATE	04-04-00	COMPANY:	
		F.B.T. Electronica Spa	
		TITLE:	PCB Name:
		MAXX-4 A	
		CONNECTIONS DIAGRAM	SHEET 1 of 4
		CODE:	DRAWING NO:

6

5

4

3

2

1

D

C

B

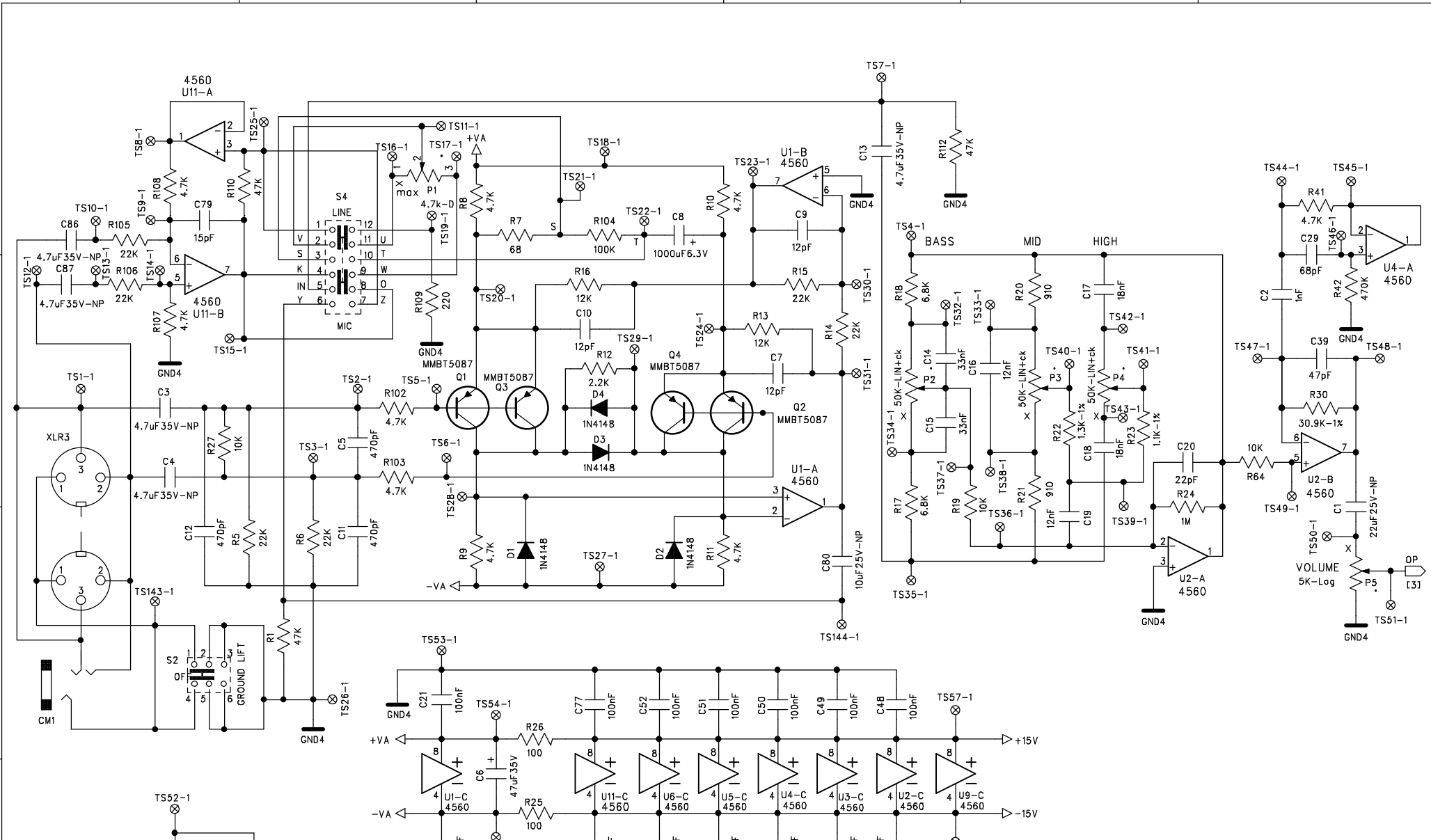
A

D

C

B

A



[] SHOW OFF-PAGE SHEET NUMBER

	04-04-00	COMPANY:	
		F.B.T. Electronica Spa	
		TITLE:	PCB Name:
		MAXX 4A	13575-00
		IN LINE MIC	
		TONE CONTROLS	SHEET 2 of 4
		CODE:	DRAWING NO:

6

5

4

3

2

1

D

D

C

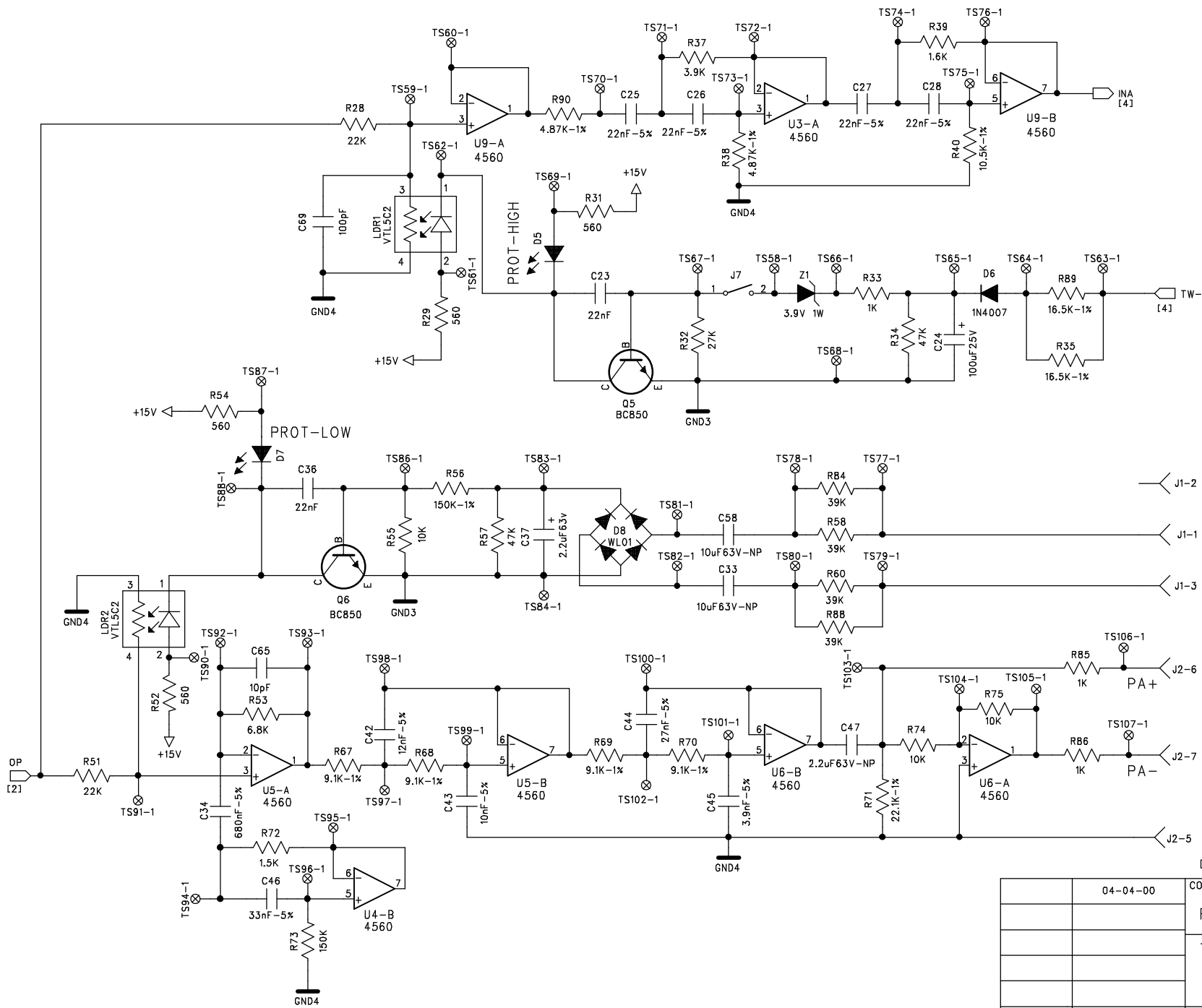
C

B

B

A

A



[-] SHOW OFF-PAGE SHEET NUMBER

	04-04-00	COMPANY: F.B.T. Electronica Spa	
		TITLE: MAXX 4A FILTERS	PCB Name: 13575-00 SHEET 3 of 4
		CODE:	DRAWING NO:

6

5

4

3

2

1

D

D

C

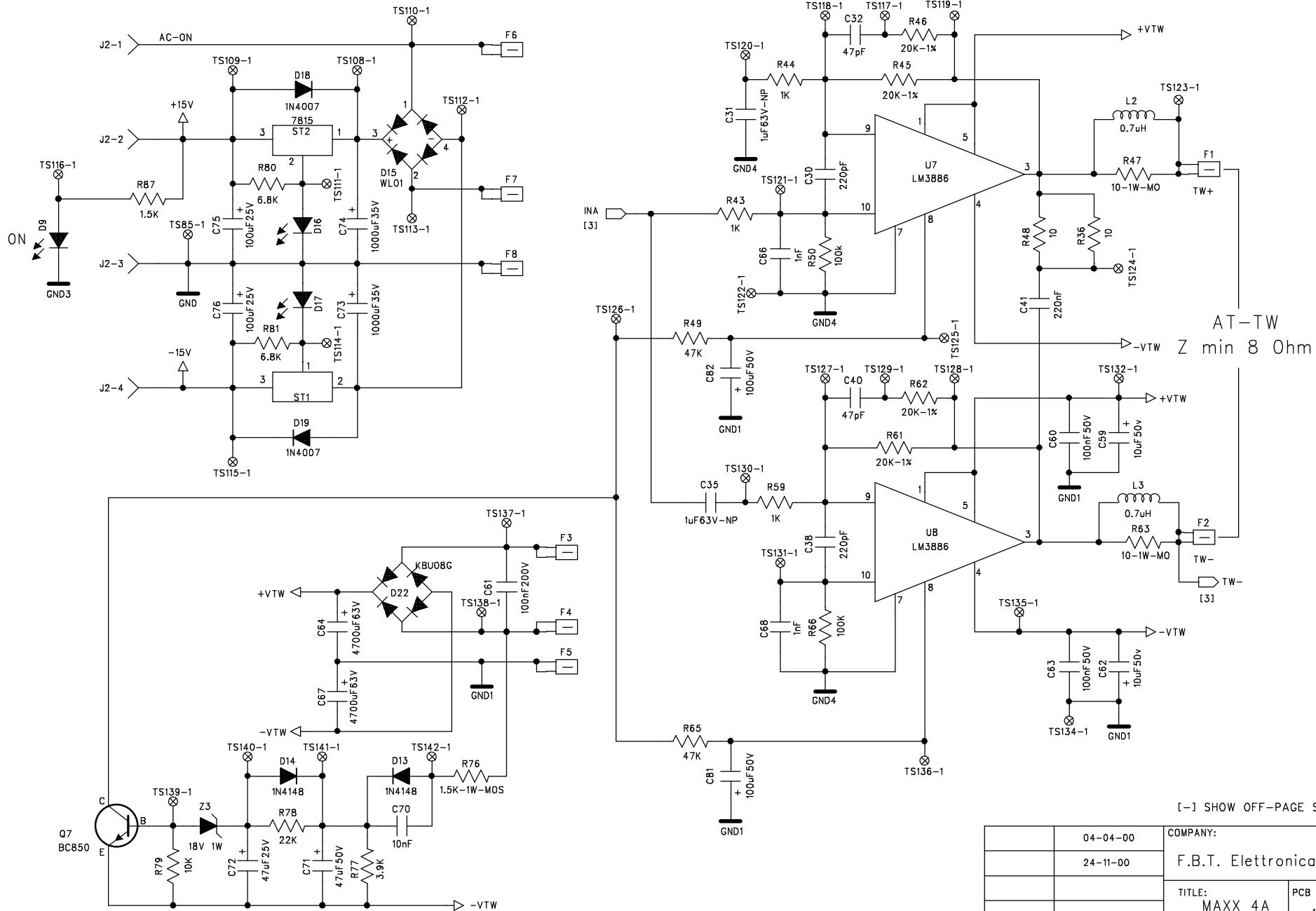
C

B

B

A

A



AT-TW
Z min 8 Ohm

[] SHOW OFF-PAGE SHEET NUMBER

	04-04-00	COMPANY:	
	24-11-00	F.B.T. Electronica Spa	
		TITLE:	PCB Name:
		MAXX 4 A	13575-00
		POWER SUPPLY &	SHEET4 of 4
		HF AMPLIFIER	
		CODE:	DRAWING NO:

6

5

4

3

2

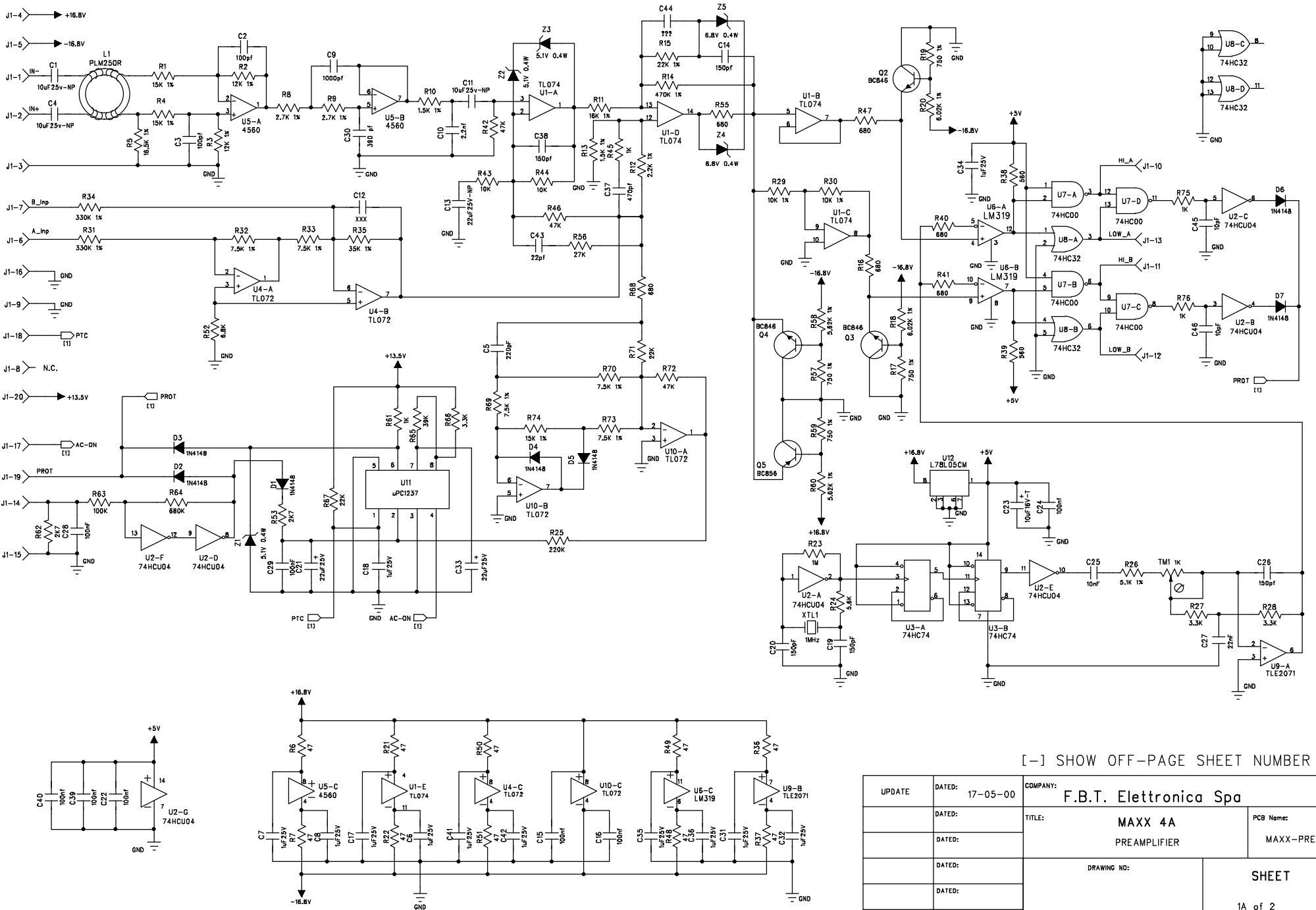
1

D

C

B

A



[] SHOW OFF-PAGE SHEET NUMBER

UPDATE	DATED: 17-05-00	COMPANY: F.B.T. Elettronica Spa	
	DATED:	TITLE: MAXX 4A PREAMPLIFIER	PCB Name: MAXX-PRE
	DATED:	DRAWING NO:	
	DATED:	SHEET 1A of 2	
	DATED:		

6

5

4

3

2

1

D

C

B

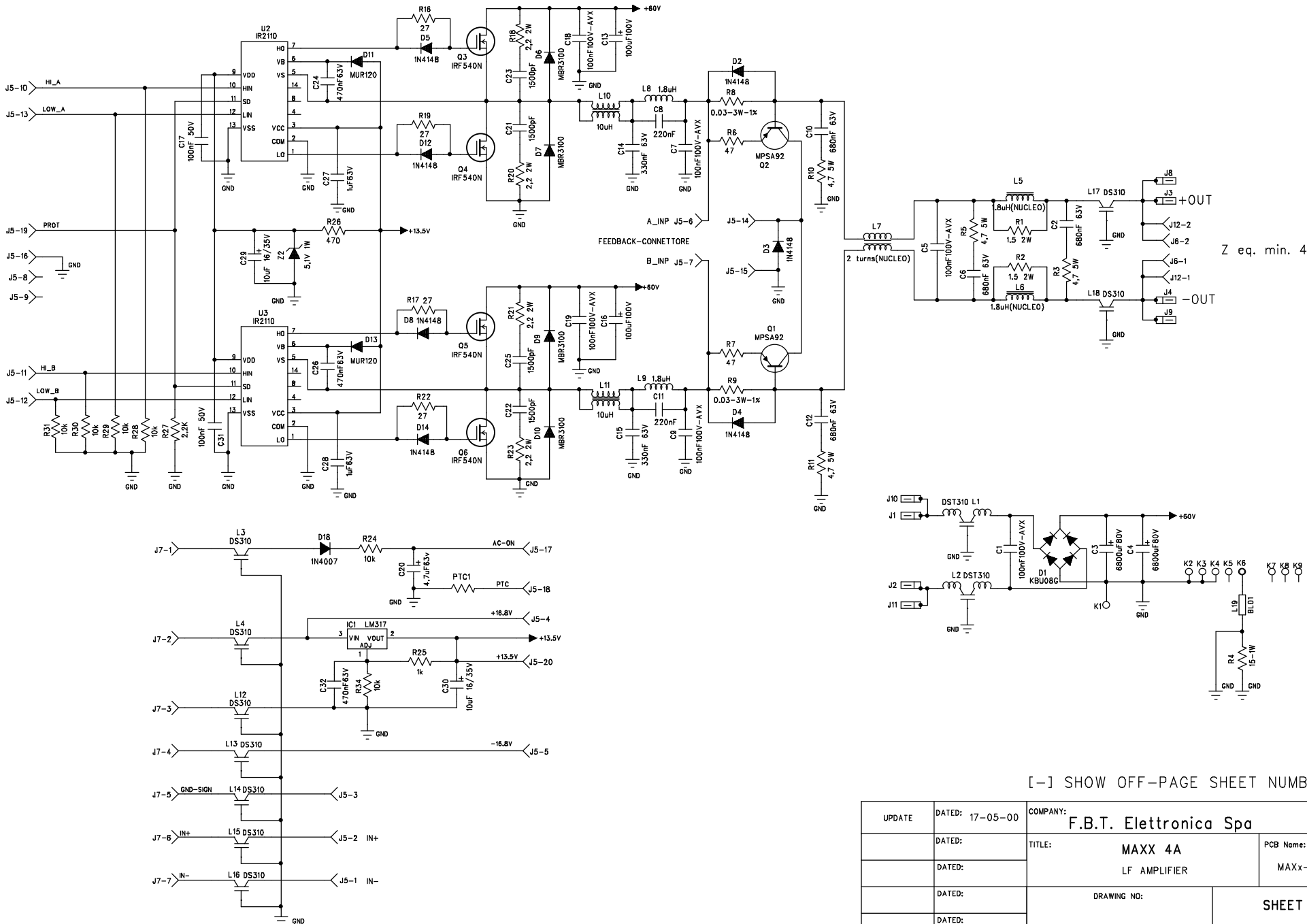
A

D

C

B

A



[-] SHOW OFF-PAGE SHEET NUMBER

UPDATE	DATED: 17-05-00	COMPANY: F.B.T. Elettronica Spa	
	DATED:	TITLE: MAXX 4A	PCB Name: MAXx-PU-A
	DATED:	LF AMPLIFIER	
	DATED:	DRAWING NO:	SHEET
	DATED:		2A of 2
	DATED:		